



Miniature Spectrometer

Technical specifications

Ref: MSP-ISI-TEC 001-01

Date: 2016-04-13

www.is-instruments.com

Contact Details

Correspondence
Address:

IS-Instruments Ltd.
Pipers Business Centre
220 Vale Road
Tonbridge
Kent
TN9 1SP
UK

Email:

info@is-instruments.com

Phone:

+44 (0)1732 373020 (09:00 – 17:00 UK)

Fax:

+44 (0)1732 373001



Disclaimer

THE INFORMATION CONTAINED HEREIN IS PROVIDED "AS IS" WITHOUT WARRANTY, CONDITION OR REPRESENTATION OF ANY KIND, EITHER EXPRESS, IMPLIED, STATUTORY OR OTHERWISE, INCLUDING BUT NOT LIMITED TO, ANY WARRANTY OF MERCHANTABILITY, NON-INFRINGEMENT OR FITNESS FOR A PARTICULAR PURPOSE.

IN NO EVENT SHALL IS-INSTRUMENTS BE LIABLE FOR ANY LOSS OR DAMAGE, WHETHER DIRECT, INDIRECT, SPECIAL, INCIDENTAL, CONSEQUENTIAL OR OTHERWISE HOWSOEVER CAUSED WHETHER ARISING IN CONTRACT TORT OR OTHERWISE, ARISING OUT OF OR IN CONNECTION WITH THE USE OF THE INFORMATION PROVIDED HEREIN.

COPYRIGHT AND PROTECTIVE NOTICES:

The copyright in this document and the associated drawings are the property of IS-Instruments Ltd. and all rights are reserved. This document and the associated drawings are issued on condition that they are not copied, reprinted or reproduced, nor their contents disclosed. The publication of information in this documentation does not imply freedom from any patent or proprietary right of IS-Instruments or any third party.

TRADEMARKS & PATENT INFORMATION

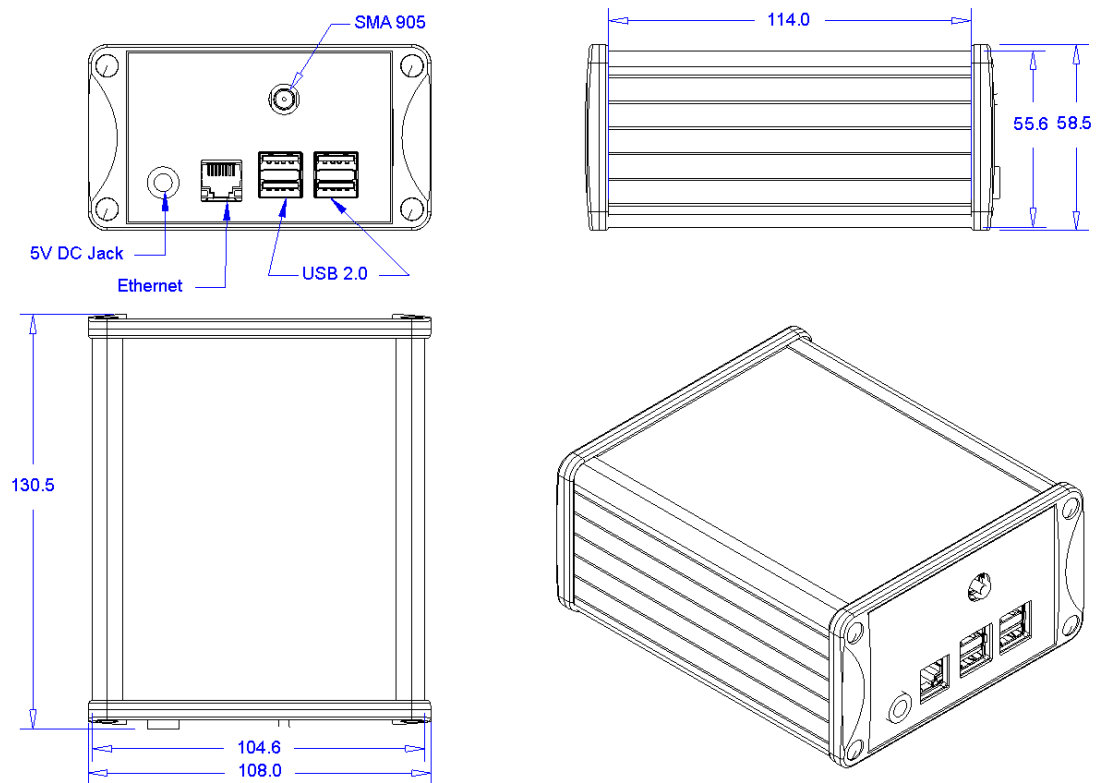
IS-Instruments and the ISI logo are trademarks of IS-instruments Ltd. All other marks are property of their owners.

Technical Specifications

This document shows the technical specifications of the CZ1000 miniature spectrometer. Further information can be found on the IS-Instruments [website](#), where you can also find the user manual and download the user software.

Specification	Value
Optical	
Wavelength range	From <390 nm to >850nm.
Resolution (FWHM)	<2nm across full range (50 µm diameter core fibre).
Exposure time	2 ms — 10 seconds
Fibre input	SMA 905
Fibre NA	0.22
Thermal stability	Δ0.4 nm/°C
Read noise	50 counts (Max. Standard deviation)
Stray Light	< 2% @ 633 nm
Linearity	> 98 % (corrected)
Electronics	
Connectivity	Ethernet WiFi (optional)
Supply voltage	4.75 — 5.25 V
Max acquisition rate	10 Hz
Mechanical	
Dimensions	59 × 108 × 131 mm
Weight	Approx 500 g
Storage and working environment	
Temperature	0 — 40 °C
Humidity	noncondensing

Mechanical Drawings



All dimensions given in millimeters.