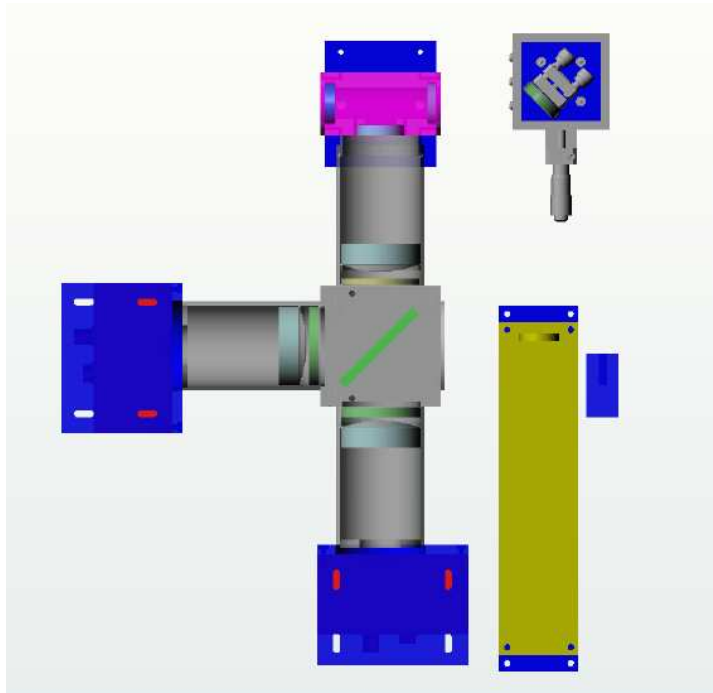




Photon Counting Real Time Gas Phase Raman Analyser

ISI has developed a versatile, commercially viable portable photon counting Raman Analyser especially designed for industrial applications and with end user convenience in mind. Features include an easily reconfigurable and expandable modular design, combining the latest advances in the laser technology with dedicated proprietary hardware and years of leading Lidar experience.



The first implementation of this approach was conducted to detect Dimethyl Sulphide (DMS) at PPM level in the Methane.

In order to achieve the high accuracy level required, gas samples were extracted from the pipe and analysed with the photon counting Raman spectrometer. The levels of Methane and DMS are then measured

The device is easily configurable for other chemical species. The high sensitivity device makes it ideal for the detection of trace species. The instrument is cost effective and reliable .

For more information contact ISI (jstorey@is-instruments.com)

Key features

- Photon counting Raman analyser
- Configurable for multiple species
- Proven detection of DMS at PPM levels
- Modular design provide flexibility
- PPM- percentage detection level on flowing gas possible
- Competitively priced